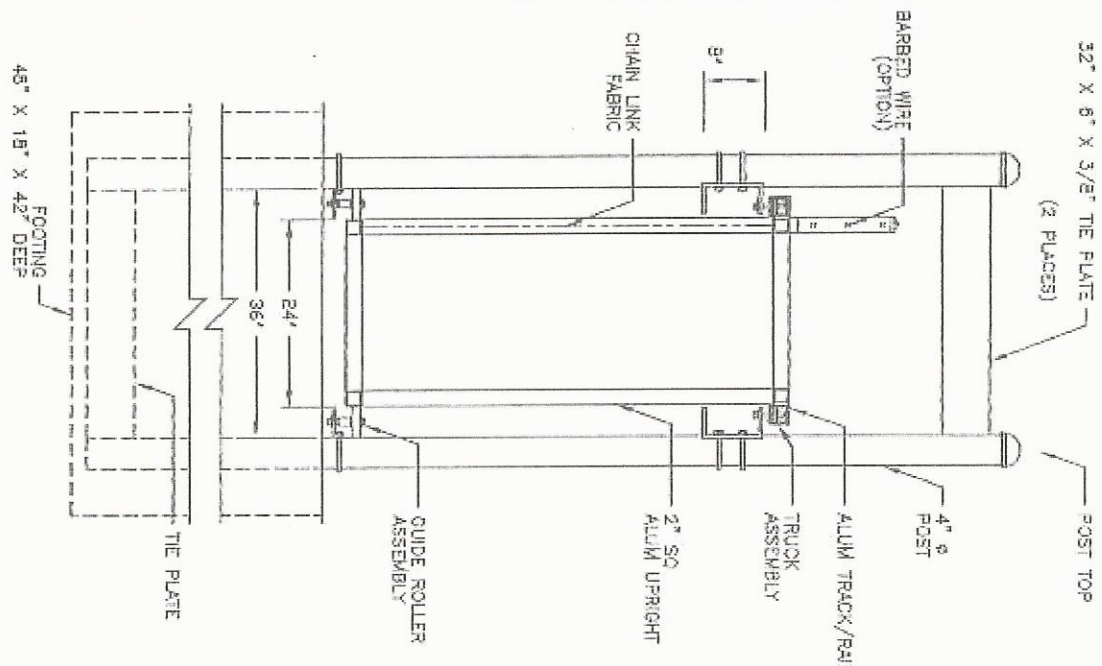


OPENING	LENGTH (L)	GATE POSTS (G)	BAYS	OVERHANG
I/S POST FACE TO I/S POST FACE	O/S DIM OF GATE LEAF	O/S POST FACE TO O/S POST FACE	NUMBER OF BAYS WITH CHAIN LINK	NUMBER OF BAYS W/O CHAIN LINK
42'-0"	59'-6"	17'-0"	(7) SEVEN	(3) THREE
44'-0"	62'-6"	18'-0"	(7) SEVEN	(3) THREE
46'-0"	65'-6"	19'-0"	(8) EIGHT	(3) THREE
48'-0"	68'-6"	20'-0"	(8) EIGHT	(3) THREE
50'-0"	71'-6"	21'-0"	(8) EIGHT	(4) FOUR
52'-0"	74'-6"	22'-0"	(9) NINE	(4) FOUR
54'-0"	78'-6"	22'-0"	(9) NINE	(4) FOUR
56'-0"	79'-6"	23'-0"	(9) NINE	(4) FOUR
58'-0"	82'-6"	24'-0"	(10) TEN	(4) FOUR
60'-0"	84'-6"	24'-0"	(10) TEN	(4) FOUR

SEE SHEET #1 FOR ELEV & PLAN

SEC A (41' THRU 60' OPENINGS)



International Gate Devices

BOX CANTILEVERED SLIDING GATE
ROUND POSTS W/ BARBED WIRE

BY:	TPA	DWG:	BOX FRAME
DATE:	8-21-02	LAYER:	2
REV:		SHEET:	2